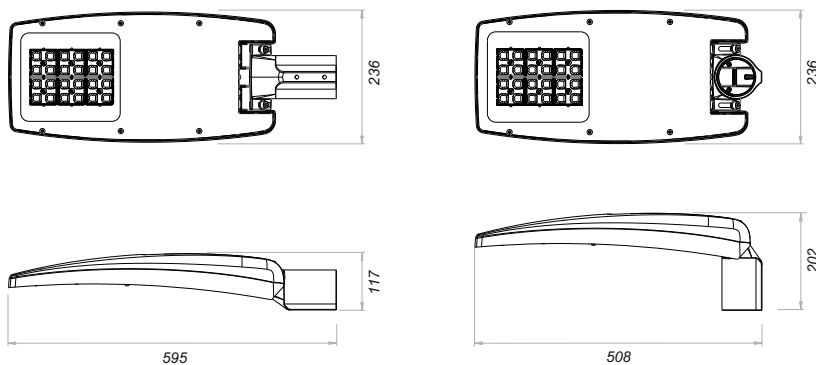


phLUMINA ELP2S

INNOVATION, EFFICIENCY & ENERGY SAVING



Main Characteristics

Applications	Street lighting
Color	Anthracite (optional RAL 7037)
Material	Die cast aluminium
Dimensions	595 (508) x 236 x 117 (202) mm
Weight	6.0 Kg
Protection degree	IP 66 IK08
Exposed surface	front. 0.12 m ² - side 0.070 m ²
Insulation class	II
Mounting	Bracket / Post-top: Ø 60 mm
Tilt Angle	Bracket 5°, 0°, -5°, -10°, -15°, -20° Post-top 0°, +5°, +10°, +15°, +20°
IPEA	≥ A++ (C.A.M.)
N° LED	4, 8, 12, 16, 20, 24 LED
LED Efficacy⁽¹⁾	187 lm/W - CRI ≥ 70 - @ 350 mA, T _J = 25 °C
Colour temperature	3000K - 730/669 4000K - 740/669 5700K - 757/669
Optics	2X2 PMMA
Optical unit lifetime⁽²⁾	≥ 100.000hr
Rated voltage	220-240 V~ 50/60 Hz
Power Factor	Cosφ ≥ 0.98 (at full load)
Surge protection (dif/com)	8/10 kV
Control system (options)	0-100%, 0-10V signal, PWM, DALI, Virtual midnight, MainsDIM, Wireless, NEMA socket, Zhaga socket
Programming	On-site driver reprogramming through NFC and related app.
Dimming	Optional module for seasonal, weekly, and daily dimming.
Operating temperature	-40 / +55 °C
Test	Salt spray test environment (according to ASTM B 117-1997); Neutral salt spray(NSS) test(according to UNI ISO 9227); UV test (according to UV ISO 11507) Humidity test (according to UNI EN ISO 6270-1)



DESCRIPTION

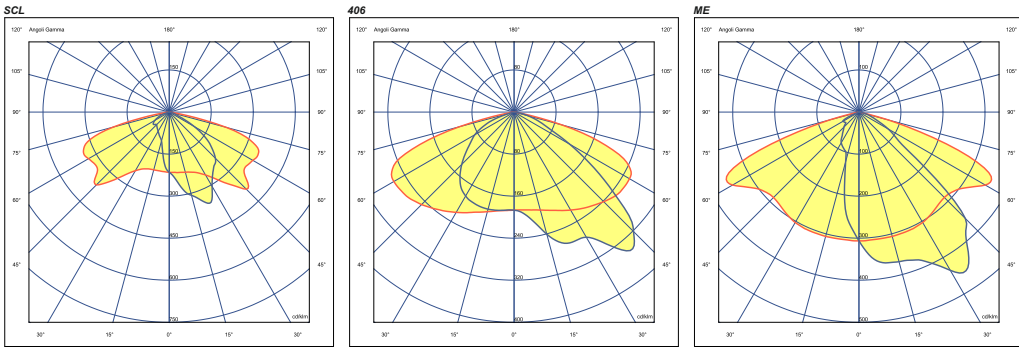
Street luminaire made in die-cast aluminum body, dimensions 595x236x117mm, adjustable tilt support and pole or arm mounting. Transparent and tempered glass resistant to impact and thermal shocks. Stainless steel screws. LED circuit equipped with 2x2 road optics. Each LED has a nominal luminous flux expressed in Lumen/Watt at many current setting(mA). Optical efficiency >93%. Light color 3000K/4000K. Color rendering index (CRI) ≥ 70. Reduced maintenance thanks to the average lifespan of each LED exceeding 100,000 hours L90B10. Multiple possibilities for adjusting the luminous flux. IP66 and IK09 protection rating. Insulation class II. Operating voltage 170-240VAC 50/60Hz. Driver efficiency ≥90% at full load, power factor cosφ0.95. Total weight 6.0 Kg. Operating temperature at steady state Ts (LED) max 85°C. Certifications CE, ENEC, ENEC Plus. Product equipped with Zhaga 4 Pin multipolar socket(optional)

Main Reference standards

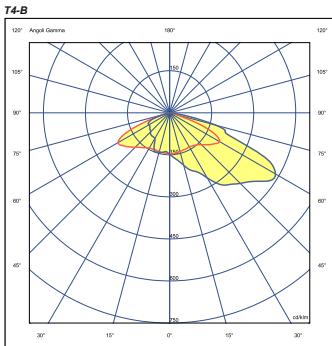
- EN 60598-1: Luminaires - Part 1: General requirements and tests
- EN 60598-2-3: Luminaires - Part 2-3: Particular requirements - Luminaires for road and street lighting
- IEC/TR 62778: Application of IEC 62471 for the assessment of blue light hazard to light sources and luminaires
- EN 55015: Limits and methods of measurement of radio disturbance characteristics of electrical lighting and similar equipment
- EN 61000-3-2: Electromagnetic compatibility (EMC) - Part 3-2: Limits - Limits for harmonic current emissions.
- EN 61000-3-3: Electromagnetic compatibility (EMC) - Part 3-3: Limits - Limitation of voltage changes, voltage fluctuations and flicker in public low-voltage supply systems
- EN 61547: Equipment for general lighting purposes - EMC immunity requirements
- EN 13032-1: Light and lighting - Measurement and presentation of photometric data of lamps and luminaires - Part 1: Measurement and file format
- Datasheet according IEC/PAS 62717 - IEC/PAS 62722



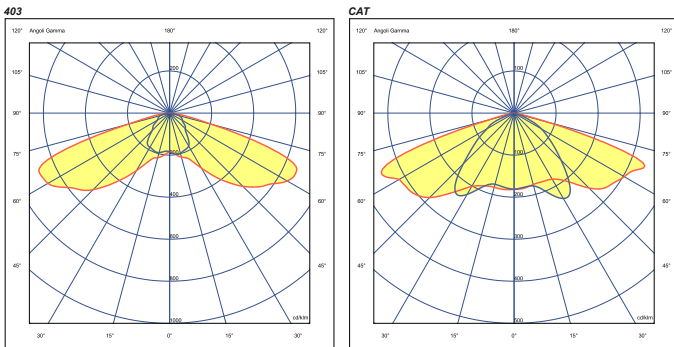
STREET LIGHTING



AREA AND CAR PARK LIGHTING



NARROW ALLEY OPTICS



phLuminaELP2S - 12 / 40 / 500 / SCL

- Product Series
- Number of Leds
- Light temperature
- Current
- Optic

NOTE: Other optics available on request

3000/4000K

Model	Led Current(mA)	Rated Luminaire Power(W)	Rated Led Flux (lm) ⁽⁴⁾	Rated Luminaire Flux (lm) ⁽³⁾	Luminaire Efficacy [lm/W]
phLuminaELP2S-4	350	8,5	1500	1350	158,9
phLuminaELP2S-8		17,5	3090	2781	
phLuminaELP2S-12		26,5	4670	4203	
phLuminaELP2S-16		35,0	6160	5544	
phLuminaELP2S-20		44,0	7750	6975	
phLuminaELP2S-24		53,0	9350	8415	
phLuminaELP2S-16	370	36,1	6312	5681	157,4
phLuminaELP2S-24	390	56,3	9790	8811	156,5
phLuminaELP2S-4	400	10,0	1680	1512	151,2
phLuminaELP2S-8		20,0	3370	3033	
phLuminaELP2S-12		30,0	5040	4536	
phLuminaELP2S-16		40,0	6730	6057	
phLuminaELP2S-20		50,0	8400	7560	
phLuminaELP2S-24		60,0	10080	9072	
phLuminaELP2S-4	450	11,5	1900	1710	148,7
phLuminaELP2S-8		23,0	3800	3420	
phLuminaELP2S-12		34,5	5700	5130	
phLuminaELP2S-16		46,0	7600	6840	
phLuminaELP2S-20		57,5	9500	8550	
phLuminaELP2S-24		69,0	11400	10260	
phLuminaELP2S-4	500	13,0	2100	1890	145,4
phLuminaELP2S-8		26,0	4200	3780	
phLuminaELP2S-12		39,0	6300	5670	
phLuminaELP2S-16		52,0	8400	7560	
phLuminaELP2S-20		65,0	10500	9450	
phLuminaELP2S-24		78,0	12600	11340	
phLuminaELP2S-4	550	14,4	2290	2061	143,1
phLuminaELP2S-8		28,7	4570	4113	
phLuminaELP2S-12		43,0	6850	6165	
phLuminaELP2S-16		57,5	9150	8235	
phLuminaELP2S-20		71,7	11400	10260	
phLuminaELP2S-24		86,0	13680	12312	
phLuminaELP2S-4	600	15,8	2460	2214	140,2
phLuminaELP2S-8		31,5	4920	4428	
phLuminaELP2S-12		47,5	7400	6660	
phLuminaELP2S-16		63,0	9850	8865	
phLuminaELP2S-20		79,0	12300	11070	
phLuminaELP2S-24		95,0	14790	13311	
phLuminaELP2S-4	650	17,3	2640	2376	137,3
phLuminaELP2S-8		34,5	5280	4752	
phLuminaELP2S-12		52,0	7920	7128	
phLuminaELP2S-16		69,0	10550	9495	
phLuminaELP2S-20		86,5	13200	11880	
phLuminaELP2S-4		700	19,0	2830	
phLuminaELP2S-8	38,0		5660	5094	
phLuminaELP2S-12	57,0		8500	7650	
phLuminaELP2S-16	76,0		11350	10215	
phLuminaELP2S-20	94,0		14050	12645	

NOTA: Values indicated in this technical sheet are to be considered rated values. Flux tolerance +/- 10%. Power Tolerance: +/- 10%

Rated led Flux according to LED GW P9LR35.PM(G5) IN M5 - A

⁽¹⁾LED source efficiency according to LED datasheet.

⁽²⁾Lifetime according to LM-80 DURIS S 8 - GW P9LR35.PM_4000K_600mA_6000h_180260W1.

⁽³⁾Values measured in laboratory @ Ta = 25 °C.

⁽⁴⁾Values extrapolated from the LED manufacturer datasheet.

The characteristics of the product listed above are subjected to change without notice.

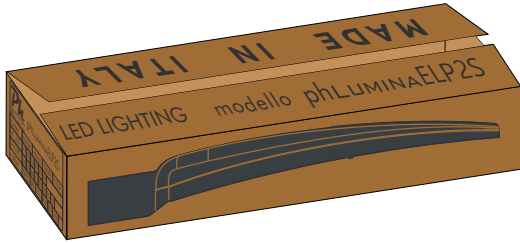
phLUMINAELP2S

INNOVATION, EFFICIENCY & ENERGY SAVING



PACKAGING

PACKAGING



Dimension: 600x250x110 mm
Weight: 6 Kg

DESIGN



Graphics, content and layout are the exclusive property of Phaenomena. Reproduction, even partial, is strictly prohibited. All trademarks are the property of their respective owners and are mentioned for informational purposes only. Over them Phaenomena has no right.