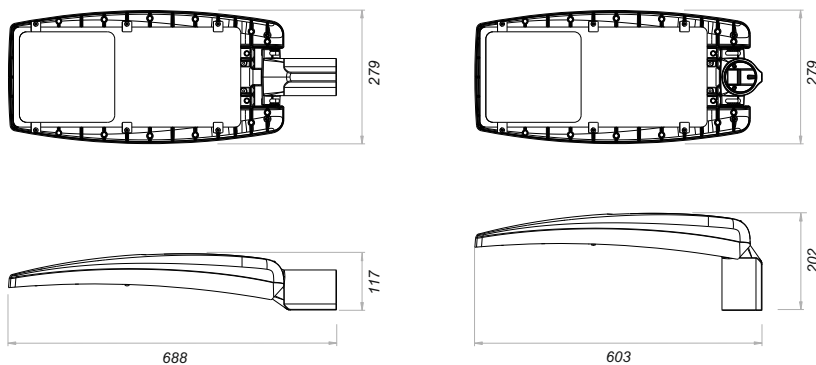


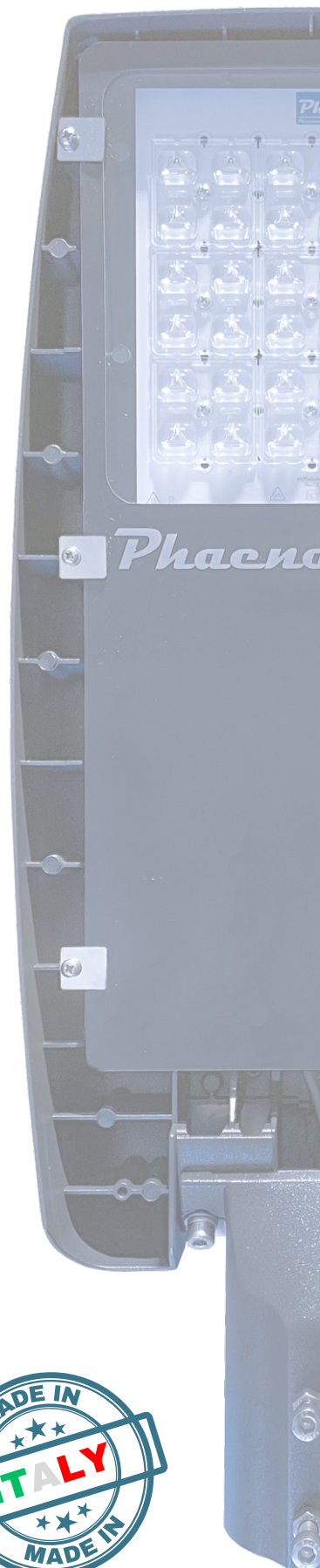
ph LUMINA ELP2M

INNOVATION, EFFICIENCY & ENERGY SAVING



Main Characteristics

Applications	Street lighting
Color	Anthracite (optional RAL 7037)
Material	Die cast aluminium
Dimensions	688 (603) x 279 x 117 (202) mm
Weight	7.0 Kg
Protection degree	IP 66 IK08
Exposed surface	front. 0.17 m ² - lat. 0.082 m ²
Insulation class	II
Mounting	Bracket / Post-top: Ø 60 mm
Tilt Angle	Bracket 5°, 0°, -5°, -10°, -15°, -20° Post-top 0°, +5°, +10°, +15°, +20°
IPEA	≥ A++ (C.A.M.)
N° LED	4, 8, 12, 16, 20, 24, 28,32,36 LED
LED Efficacy⁽¹⁾	187 lm/W - CRI ≥ 70 - @ 350 mA, T _j = 25 °C
Colour temperature	3000K - 730/669 4000K - 740/669 5700K - 757/669
Optics	2X2 PMMA
Optical unit lifetime⁽²⁾	≥ 100.000hr
Rated voltage	220-240 V~ 50/60 Hz
Power Factor	Cosφ ≥ 0.98 (at full load)
Surge protection (dif/com)	8/10 kV
Control system (options)	0-100%, 0-10V signal, PWM, DALI, Virtual midnight, MainsDIM, Wireless, NEMA socket, Zhaga socket
Programming	On-site driver reprogramming through NFC and related app.
Dimming	Optional module for seasonal, weekly, and daily dimming.
Operating temperature	-40 / +55 °C



DESCRIPTION

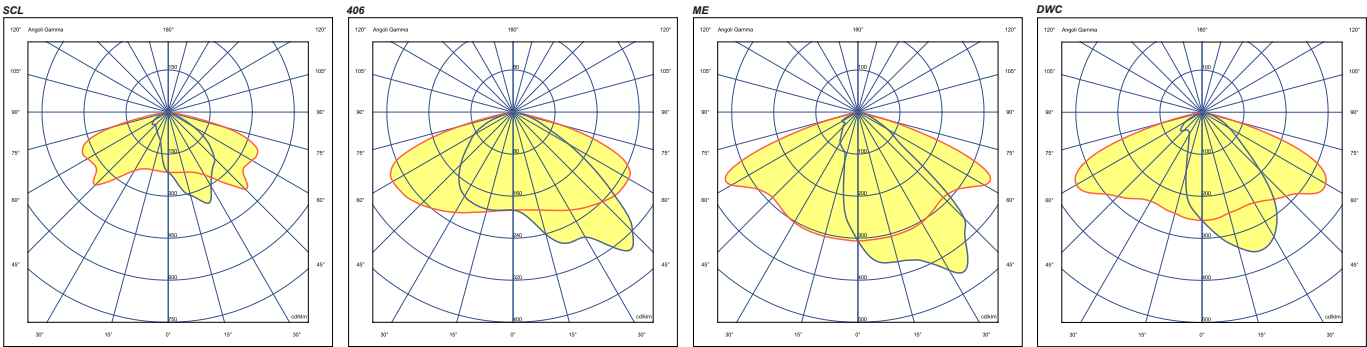
Street luminaire made in die-cast aluminum body, dimensions 595x236x117mm, adjustable tilt support and pole or arm mounting. Transparent and tempered glass resistant to impact and thermal shocks. Stainless steel screws. LED circuit equipped with 2x2 road optics. Each LED has a nominal luminous flux expressed in Lumen/Watt at many current setting(mA). Optical efficiency >93%. Light color 3000K/4000K. Color rendering index (CRI) ≥ 70. Reduced maintenance thanks to the average lifespan of each LED exceeding 100,000 hours L90B10. Multiple possibilities for adjusting the luminous flux. IP66 and IK09 protection rating. Insulation class II. Operating voltage 170-240VAC 50/60Hz. Driver efficiency ≥90% at full load, power factor cosφ0.95. Total weight 6.0 Kg. Operating temperature at steady state Ts (LED) max 85°C. Certifications CE, ENEC.

Main Reference standards

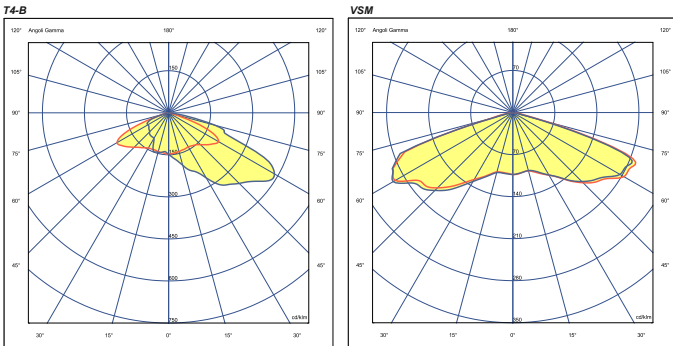
EN 60598-1: Luminaires - Part 1: General requirements and tests
 EN 60598-2-3: Luminaires - Part 2-3: Particular requirements - Luminaires for road and street lighting
 IEC/TR 62778: Application of IEC 62471 for the assessment of blue light hazard to light sources and luminaires
 EN 55015: Limits and methods of measurement of radio disturbance characteristics of electrical lighting and similar equipment
 EN 61000-3-2: Electromagnetic compatibility (EMC) - Part 3-2: Limits - Limits for harmonic current emissions.
 EN 61000-3-3: Electromagnetic compatibility (EMC) - Part 3-3: Limits - Limitation of voltage changes, voltage fluctuations and flicker in public low-voltage supply systems
 EN 61547: Equipment for general lighting purposes - EMC immunity requirements
 EN 13032-1: Light and lighting - Measurement and presentation of photometric data of lamps and luminaires - Part 1: Measurement and file format
 Datasheet according IEC/PAS 62717 - IEC/PAS 62722



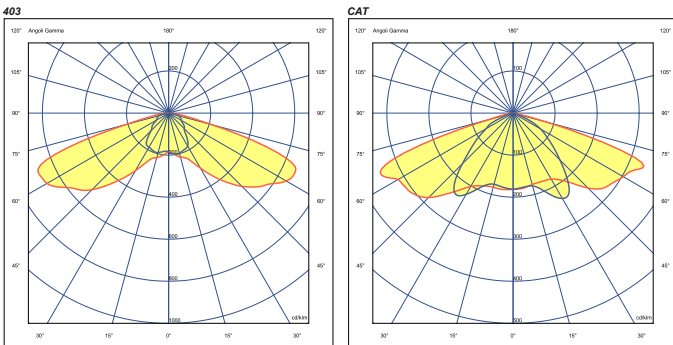
STREET LIGHTING



AREA AND CAR PARK LIGHTING



NARROW ALLEY OPTICS



phLuminaELP2S - 12 / 40 / 500 / SCL

- Product Series
- Number of Leds
- Light temperature
- Current
- Optic

NOTE: Other optics available on request

3000/4000/5700K

Model	Led Current(mA)	Rated Luminaire Power(W)	Rated Led Flux (lm) ⁽⁴⁾	Rated Luminaire Flux (lm) ⁽³⁾	Luminaire Efficacy [lm/W]
phLuminaELP2M-4	350	8,5	1541	1310	149,7
phLuminaELP2M-8		17,5	3082	2620	
phLuminaELP2M-12		26,5	4623	3930	
phLuminaELP2M-16		35,0	6164	5239	
phLuminaELP2M-20		44,0	7705	6549	
phLuminaELP2M-24		53,0	9246	7859	
phLuminaELP2M-28		61,5	10787	9169	
phLuminaELP2M-32		70,5	12328	10479	
phLuminaELP2M-36		79,0	13870	11790	
phLuminaELP2M-4		500	13,0	2148	
phLuminaELP2M-8	26,0		4295	3651	
phLuminaELP2M-12	39,0		6443	5477	
phLuminaELP2M-16	52,0		8591	7302	
phLuminaELP2M-20	65,0		10738	9127	
phLuminaELP2M-24	78,0		12887	10165	
phLuminaELP2M-28	91,0		15034	12779	
phLuminaELP2M-32	104,0		17182	14605	
phLuminaELP2M-36	116,0		19330	16431	
phLuminaELP2M-4	700		19,0	2910	2474
phLuminaELP2M-8		38,0	5820	4947	
phLuminaELP2M-12		57,0	8729	7420	
phLuminaELP2M-16		76,0	11638	9892	
phLuminaELP2M-20		94,0	14548	12366	
phLuminaELP2M-24		114,0	17450	14820	

NOTA: Values indicated in this technical sheet are to be considered rated values. Flux tolerance +/- 10%. Power Tolerance: +/- 10%
Rated led Flux according to LED GW P9LR35.PM(G5) IN M5 - A

⁽¹⁾ LED source efficiency according to LED datasheet.

⁽²⁾ Lifetime according to LM-80_DURIS S 8 - GW P9LR35.PM_4000K_600mA_6000h_180260W1.

⁽³⁾ Values measured in laboratory @ Ta = 25 °C.

⁽⁴⁾ Values extrapolated from the LED manufacturer datasheet.

The characteristics of the product listed above are subjected to change without notice.

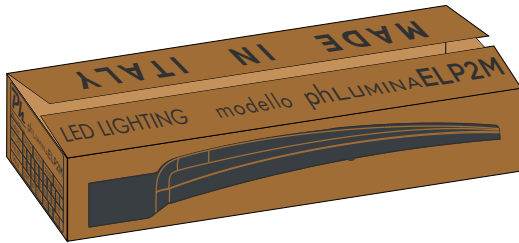
phLUMINAELP2M

INNOVATION, EFFICIENCY & ENERGY SAVING



PACKAGING

PACKAGING



Dimensions: 700x290x110 mm
Weight: 8 Kg

DESIGN



Graphics, content and layout are the exclusive property of Phaenomena. Reproduction, even partial, is strictly prohibited. All trademarks are the property of their respective owners and are mentioned for informational purposes only. Over them Phaenomena has no right.